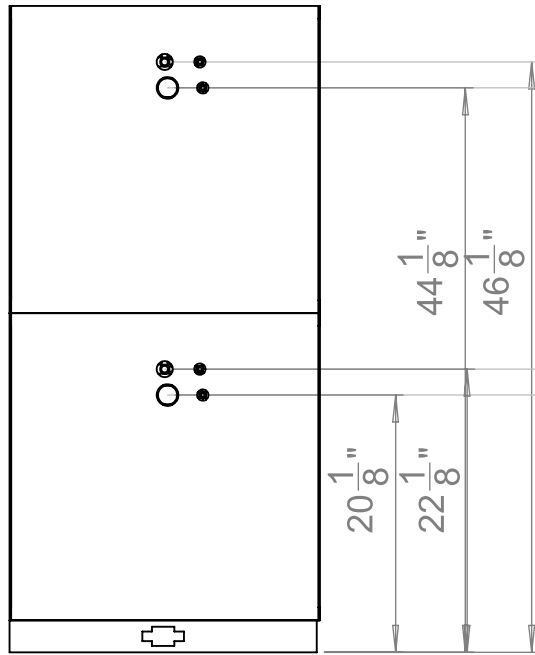
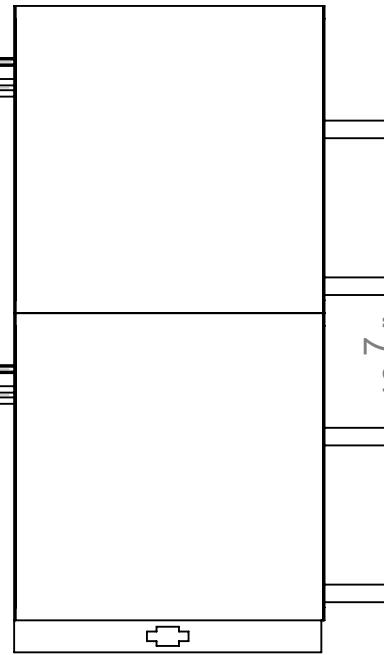


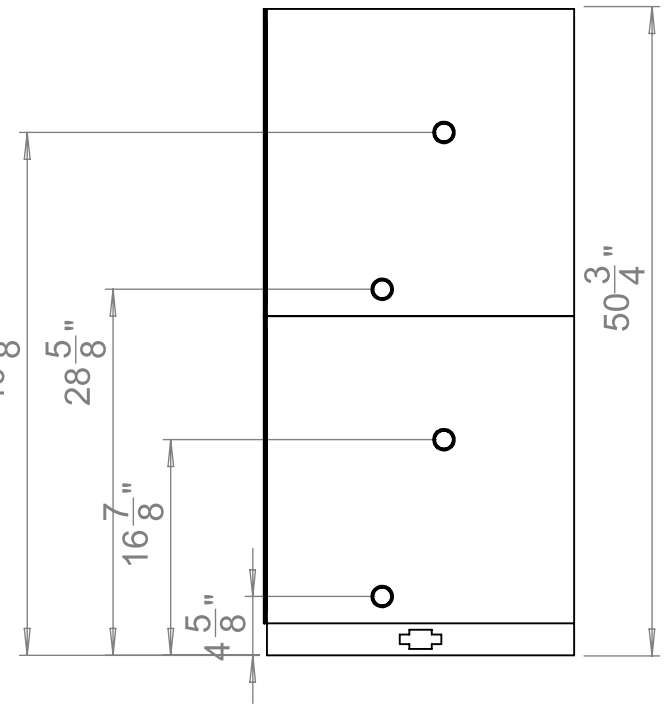
LEFT SIDE VIEW



FRONT VIEW

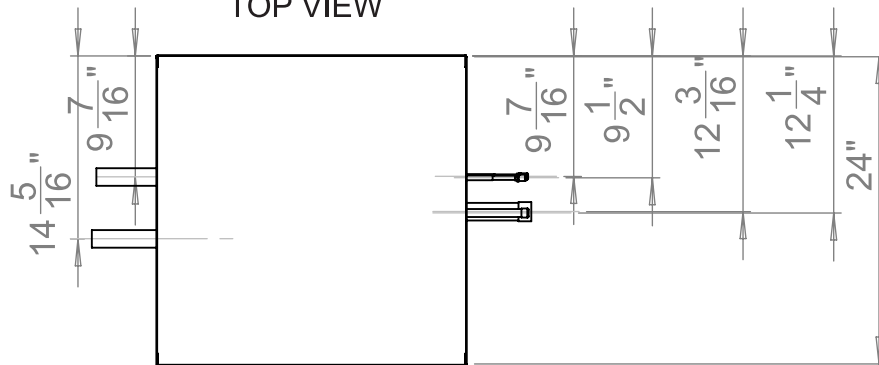


RIGHT SIDE VIEW



FRONT & BACK PANELS
ARE REMOVABLE

TOP VIEW



PIPE CONNECTIONS

Suction: 1-3/8" OD
 Liquid: 5/8" OD
 Water: 1-1/4" ID

FLOW RATE

20-25 GPM per
 12.5 Ton Circuit
 40-50 GPM Total

ThermAtlantic
 HYDRONIC AIR SOURCE HEAT PUMPS

TANDEM
 R-410A
DX2W³
 DIRECT EXPANSION
 TO WATER MODULE

**25 Ton / 88 kW DX2W-3 Module using Tandem
 12.5 Ton Refrigeration circuits, each comprised of:**

- Two bolt-on 6 Ton TXV's with 15% Bleed
- Two Sight Glasses with Moisture Indicators
- Two 6.25 Ton Heat Exchangers & Liquid Receivers
- One High Pressure Transducer, 4-20ma 15 VDC
- 10K Thermistors, 25kOhm at 25°C used for:
 Entering Water, Exiting Water, Liquid Line temps.

| OAT | COP | kW |
|-------|-----|-----|
| -18°C | 2.1 | 41 |
| -16°C | 2.3 | 43 |
| -14°C | 2.5 | 46 |
| -12°C | 2.7 | 48 |
| -10°C | 2.9 | 51 |
| -8°C | 3.0 | 54 |
| -6°C | 3.2 | 58 |
| -4°C | 3.3 | 61 |
| -2°C | 3.4 | 65 |
| 0°C | 3.6 | 69 |
| 2°C | 3.7 | 74 |
| 4°C | 3.8 | 78 |
| 6°C | 4.0 | 83 |
| 8°C | 4.2 | 88 |
| 10°C | 4.3 | 92 |
| 12°C | 4.4 | 97 |
| 14°C | 4.6 | 101 |

ThermAtlantic Energy Products Inc.

17-19 Pippy Place, St. John's, NL A1E 5Z8 Canada
 1-888-757-2210 support@thermatlantic.com