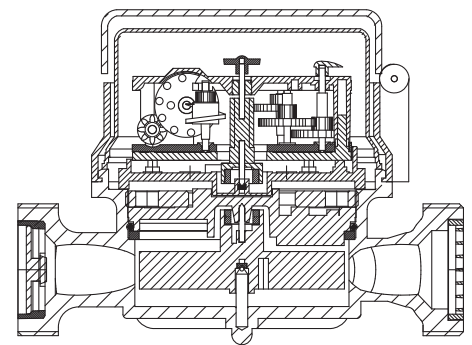


BAYLAN

WATER METERS

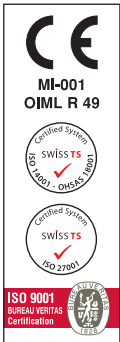
KK-12

Single Jet Dry Type Water Meter



GENERAL

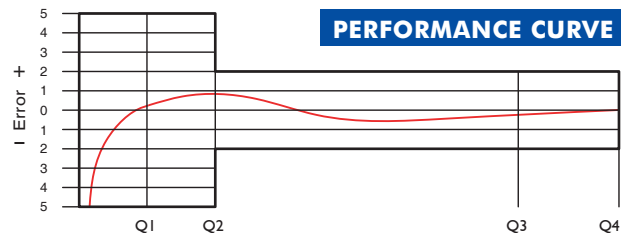
- MID Certificated
- Single jet design assures very high sensitivity even at low flows
- Plastic upper body with high resistance to pressure and impacts
- Vacuum mechanism
- Suitable for potable water
- Available for optical reading
- 3 years of warranty • Almost no maintenance
- Suitable for cold water up to 50°C
- Service and spare parts available for 10 years



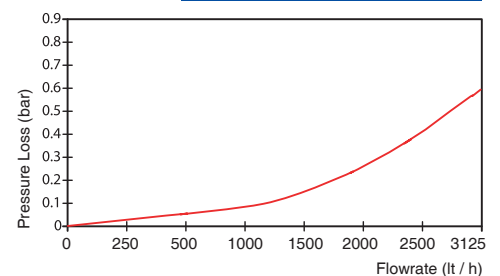
PERFORMANCE DATA

Permanent Flowrate	Q3	(m ³ /h)	: 2.5
Overload Flowrate	Q4	(m ³ /h)	: 3.125
Transitional Flowrate	Q2	(m ³ /h)	: 0.025
Minimum Flowrate	Q1	(m ³ /h)	: 0.015625
Initial Flowrate	Qi	(l/h)	: 5
Maximum Working Pressure		(bar)	: 16
Maximum Working Temperature		(°C)	: 50
Q3/Q1 (MI-001 OIML R49)			: H R160, V R80
Pressure Loss		(bar)	: 0.6
Maximum Registration Capacity		(m ³)	: 99999
Smallest Reading Resolution		(m ³)	: 0.00005
Mounting on the network			: Horizontal & Vertical
Unit weight		(kg)	: 0.54
Package Weight (without connections)		(kg)	: 6.00
Package Weight (with connections)		(kg)	: 7.20
Quantity per package			: 10
Package dimensions		(cm)	: 21x42.5x16.5

PERFORMANCE CURVE

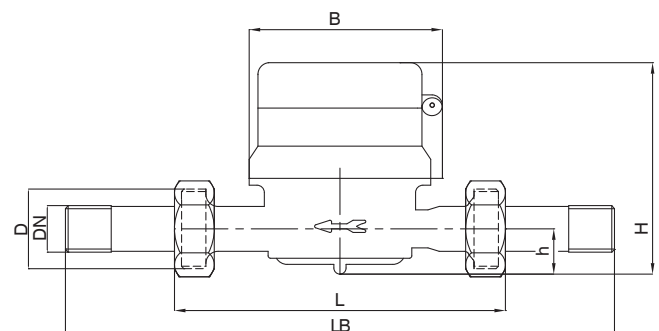


PRESSURE LOSS CURVE



DIMENSIONS

Nominal diameter	DN	15	mm
Connecting diameter	D	G 3/4 B	
Total overall meter height	H	113	mm
Axis height	h	16	mm
Length	L	110	mm
Width	B	78.5	mm
Length with connections	LB	186	mm



"Due to continuous development of our products, we reserve the right to modify our product design or construction without prior notice."