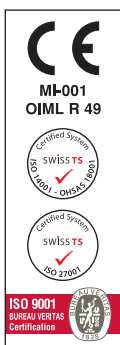


# BAYLAN

## WATER METERS

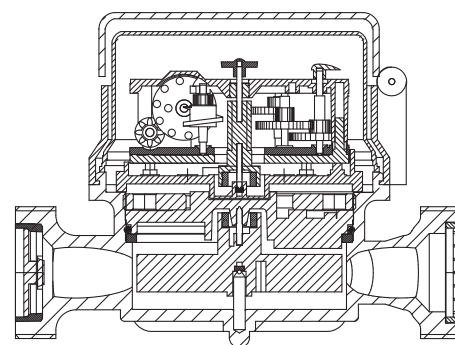
### KK-12S

## Single jet Dry type Water Meter



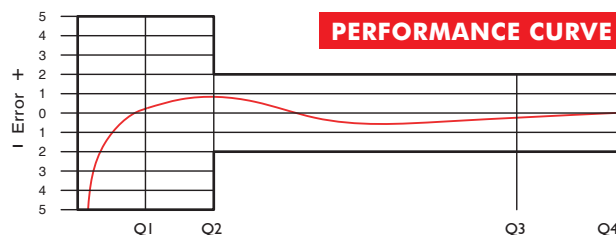
#### GENERAL

- MID Certificated
- Single jet design assures very high sensitivity even at low flows
- Plastic upper body with high resistance to pressure and impacts
- Electrostatic painted body made of corrosion resistant brass
- Vacuum mechanism
- Available for optical reading
- 3 years of warranty • Almost no maintenance
- Suitable for cold water up to 90°C
- Service and spare parts available for 10 years

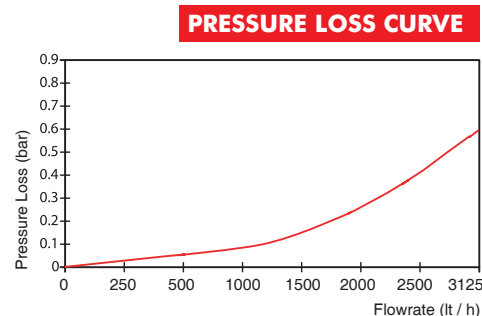


#### PERFORMANCE DATA

Permanent Flowrate	Q3	( m <sup>3</sup> /h )	: 2.5
Overload Flowrate	Q4	( m <sup>3</sup> /h )	: 3.125
Transitional Flowrate	Q2	( m <sup>3</sup> /h )	: 0.040   0.050
Minimum Flowrate	Q1	( m <sup>3</sup> /h )	: 0.025   0.03125
Q3/Q1 (MI-001 OIML R49)			: 100   80
Initial Flowrate	Qi	( l/h )	: 5
Maximum Working Pressure		( bar )	: 16
Maximum Working Temperature		( °C )	: 90
Pressure Loss		( bar )	: 0.6
Maximum Registration Capacity		( m <sup>3</sup> )	: 99999
Smallest Reading Resolution		( m <sup>3</sup> )	: 0.00005
Mounting on the network			: Horizontal & Vertical
			DN 15   DN 20
Unit weight		( kg )	: 0.54   0.56
Package Weight (without connections)		( kg )	: 6.00   6.18
Package Weight (with connections)		( kg )	: 7.20   7.98
Quantity per package			: 10
Package dimensions		( cm )	: 21x42.5x16.5



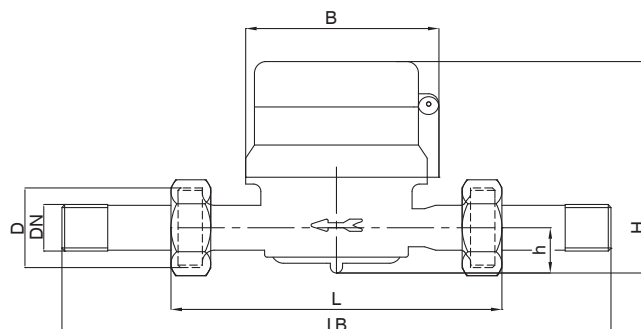
PERFORMANCE CURVE



PRESSURE LOSS CURVE

#### DIMENSIONS

Nominal diameter	DN	15	20	mm
Connecting diameter	D	G 3/4	G 1	B
Total overall meter height	H	113	113	mm
Axis height	h	16	16	mm
Length	L	110	110	mm
Width	B	78.5	78.5	mm
Length with connections	LB	186	190	mm



"Due to continuous development of our products, we reserve the right to modify our product design or construction without prior notice."